

Gas Delivery Tubing and Accessories

We offer more tubing choices. Our recommendations:

Premium Grade Stainless Steel Grade 304 tubing, specially cleaned to ensure inertness. We make all our stainless steel columns from this tubing.

Fused Silica-Lined Stainless Steel The strength of stainless steel with the inertness of deactivated fused silica.

Cleaned Copper -Solvent-washed to Supelco standards (ASTM B-280 plus Supelco cleaning), to remove residual hydrocarbons. Recommended for most GC plumbing applications.

DESCRIPTION (OD X ID; LENGTH)	CAT. NO.	PRICE
-------------------------------	----------	-------

PREMIUM GRADE STAINLESS STEEL (304)

1/8 x 0.085" (3.18 x 2.1mm); 50' Coil	20526-U	
---------------------------------------	---------	--

1/4 x 0.209" (6.35 x 5.3mm); 50' Coil	20527	
---------------------------------------	-------	--

1/16 x 0.010" (1.59 x 0.254mm); 100' Coil	20552	
---	-------	--

1/16 x 0.030" (1.59 x 0.762mm); 100' Coil	20553	
---	-------	--

Shorter Lengths, per foot

FUSED SILICA-LINED STAINLESS STEEL

1/16 x 0.01" (1.59 x 0.254mm); 25'	24951	
------------------------------------	-------	--

1/16 x 0.01" (1.59 x 0.254mm); 50'	24952	
------------------------------------	-------	--

1/16 x 0.01" (1.59 x 0.254mm); 100'	24953	
-------------------------------------	-------	--

1/16 x 0.02" (1.59 x 0.508mm); 6'	24954	
-----------------------------------	-------	--

1/16 x 0.02" (1.59 x 0.508mm); 25'	24955	
------------------------------------	-------	--

1/16 x 0.02" (1.59 x 0.508mm); 50'	24956	
------------------------------------	-------	--

1/16 x 0.02" (1.59 x 0.508mm); 100'	24957	
-------------------------------------	-------	--

1/16 x 0.03" (1.59 x 0.762mm); 6'	24958	
-----------------------------------	-------	--

1/16 x 0.03" (1.59 x 0.762mm); 25'	24959	
------------------------------------	-------	--

1/16 x 0.03" (1.59 x 0.762mm); 50'	24960	
------------------------------------	-------	--

1/16 x 0.03" (1.59 x 0.762mm); 100'	24961	
-------------------------------------	-------	--

1/16 x 0.04" (1.59 x 1.016mm); 6'	24962	
-----------------------------------	-------	--

1/16 x 0.04" (1.59 x 1.016mm); 25'	24963	
------------------------------------	-------	--

1/16 x 0.04" (1.59 x 1.016mm); 50'	24964	
------------------------------------	-------	--

1/8 x 0.085" (3.18 x 2.1mm); 6'	24965	
---------------------------------	-------	--

1/8 x 0.085" (3.18 x 2.1mm); 25'	24966	
----------------------------------	-------	--

1/8 x 0.085" (3.18 x 2.1mm); 50'	24967	
----------------------------------	-------	--

CLEANED COPPER

(GC PLUMBING QUALITY; ASTM¹ B-280 PLUS SUPELCO CLEANING)

1/8 x 0.065" (3.18 x 1.65mm); 50' Coil	20488	
--	-------	--

1/4 x 0.190" (6.35 x 4.83mm); 50' Coil	20489	
--	-------	--

Shorter Lengths, per foot

GENERAL PURPOSE COPPER (ASTM B-280)

1/8 x 0.065" (3.18 x 1.65mm); 50' Coil	20520-U	
--	---------	--

1/4 x 0.190" (6.35 x 4.83mm); 50' Coil	20522	
--	-------	--

Shorter Lengths, per foot

SP-ALLOY (NICKEL ALLOY; FOR MAXIMUM INERTNESS)

1/8 x 0.085" (3.18 x 2.1mm); 50' Coil	22709-U	
---------------------------------------	---------	--

Shorter Lengths, per foot

TEFLON (TFE) (MAX. TEMP.: 240°C)

0.085 x 0.062" (2.1 x 1.58mm); 25' Coil	20531	
---	-------	--

1/4 x 0.228" (6.35 x 5.8mm); 25' Coil	20533	
---------------------------------------	-------	--

Shorter Lengths, per foot

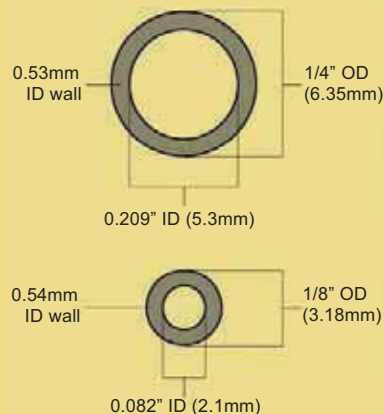
TEFLON (FEP) (MAX. TEMP.: 200°C)

1/8 x 0.085" (3.18 x 2.1mm); 50' Coil	20532	
---------------------------------------	-------	--

Shorter Lengths, per foot

¹ American Society for Testing and Materials.

Stainless Steel Tubing Dimensions



713-0465



P000301

GC Accessories

Packed Column GC



Burgess Vibrograver

Eliminate gaps when packing your columns. The Burgess Vibrograver is ideal for vibrating columns or marking tags. 110VAC models: 9 watts, 0.08 amp, 60Hz; 220VAC model: 12 watts, 0.05 amp, 50Hz.

DESCRIPTION	CAT. NO.	PRICE
110VAC	20402	
110VAC self-grounding (three wires)	20391	
220VAC ¹	20398-U	

¹ Does not have a CE mark.

Stainless Steel Screening

Keep packing debris out of your detector. Use this 2" x 2" (5 x 5cm) stainless steel screening with 10µm openings to make your own end screens. Note: End screens cannot be used in aluminum columns.

DESCRIPTION	CAT. NO.	PRICE
Stainless Steel Screening	22327	



Puller/Inserter Tool

Insert or remove wool plugs the easy way. The fork on one end feeds the plug into the column, then leaves it cleanly. The hook on the other end won't disrupt the packing when you remove the plug. Reduces contamination caused by handling glass wool with your fingers. Use with 1mm-4mm ID glass or 1/8", 1/4", 5mm OD metal columns.

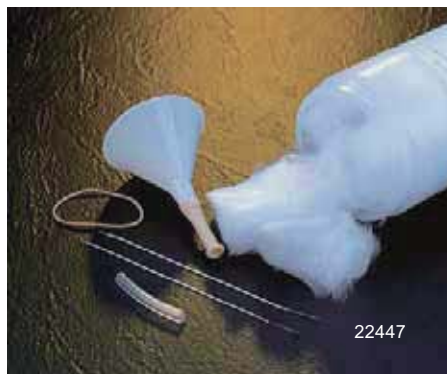
Also removes injector liners from columns, or wool or foam plugs from adsorption tubes. Pays for itself the first time you use it!

DESCRIPTION	CAT. NO.	PRICE
Puller/Inserter Tool (pk. of 2)	22406	

Funnel and Tubing

Fill your packed columns with this convenient plastic funnel. Tygon tubing connects funnel to column. Simple, yet does the job.

DESCRIPTION	CAT. NO.	PRICE
Funnel and Tubing	20390-U	



Column Filling Kits

All you need to quickly and efficiently pack your columns. Includes two puller/inserter tools (Cat. No. 22406), plastic funnel, rubber column connector, and 50g glass wool for plugs. Saves you money when compared to individually priced items.

DESCRIPTION	CAT. NO.	PRICE
Kit A (silane-treated glass wool)	22447	

Glass Wool

Choose silane treated (for general use), phosphoric acid treated (for acidic compounds such as barbiturates, free fatty acids, etc.), pesticide grade, or untreated (for special applications and do-it-yourself).

DESCRIPTION	CAT. NO.	PRICE
Silane Treated, 50g	20411	
Silane Treated, 250g	20410	
Phosphoric Acid Treated, 50g	20383	
Pesticide Grade, 10g	20409	
Untreated, 50g	20384	

Order: 1.800.325.3010 Technical Service: 1.800.359.3041 Web: www.sigma-aldrich.com/supelco